

# CHAMPION™

Quality Healthcare Seating Products

## 58 Series

BARIATRIC RELAX RECLINER

RATED UP TO 500 LBS.

Part #586 MANUAL RECLINER  
Part #58P POWER RECLINER\*



Shown with optional side tables.

The 58 Series Relax Recliner is a cost-effective, versatile choice in patient seating *when patient transport is not needed*. Start with basic recliner and choose only the features required for your specific treatment therapies. Sized for patients up to 500 lbs, the 58 Series offers durable three-inch dual steel casters and a reinforced steel frame for larger patients.



Z-spring construction for greater comfort.

All steel, powder-coated frame for durability.\*\*

### STANDARD FEATURES

Stationary arms

3" dual steel casters

Wall-hugger recline mechanism (infinite recline positions)

Quick-release seat

Wall-hugger recline mechanism



Quick-release seat



### STANDARD VINYL SELECTION



Natural  
T09



Aquamarine  
T19



Bonnie Blue  
T21



Iced Mint  
T26



Tearose  
T43



Colonial Blue  
T45



Gray  
T56



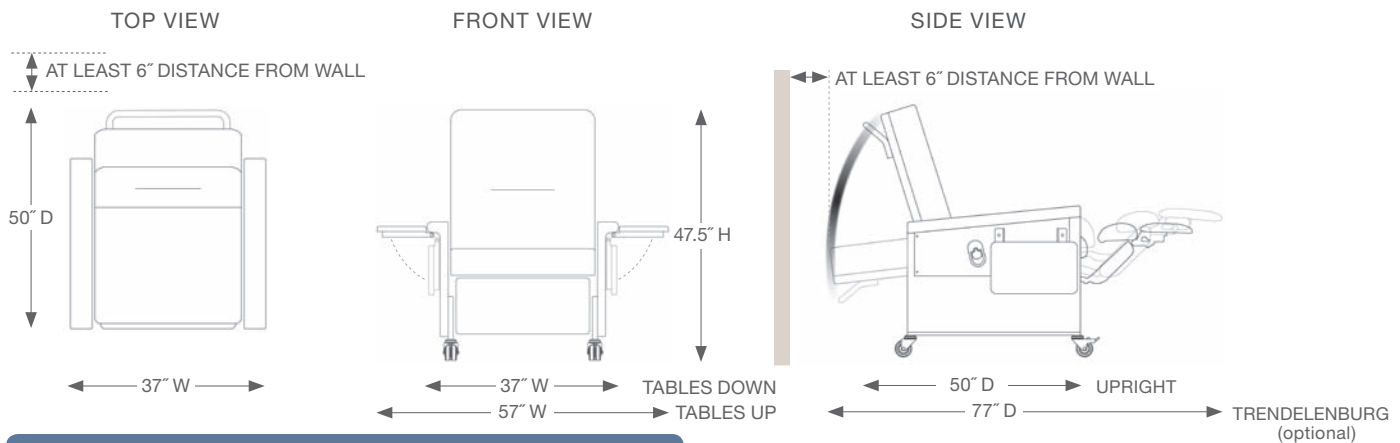
Cranberry  
T96

Printed color swatches may not be an exact match to actual fabrics and are enlarged to show detail.

\*The 58P (without the heat & massage option) is UL 60601-1 certified.

\*\*Retractable foot tray and five-inch casters do not come with the 58 Series, but can be added as an option.

## SPACE REQUIREMENTS



## SPECIFICATIONS

Weight capacity	500 lbs.
Back height (from floor/seat)	47.5"/29"
Overall width (2 tables down/up)	37"/57"
Seat width	27.5"
Arm height (from floor, front/back)	28.5"/25.5"
Seat height/depth	22.5"/21"
Upright overall depth (w/handle)	50"
Steel casters (dual)	3"



## OPTIONS

Trendelenburg (T)
Break-away arm – patient left (L), right (R)
Fold-away side table – first (F), second (S7) – not available with break-away arm option
Cupholder – on all tables (C), on one of two tables, specify CUP-HOLDER (right or left)
Retractable foot tray (P)
Push handle (H)
Heat (J) – (586 manual model only)
Heat and massage (JM)
CAL 133 fire barrier (3)***
Vinyl upgrades Champion, graded vinyl selections**** Customer's own material (COM) PVC-free material
Dual-hand control (DUALACT-PWR) – (58P model only)
Battery backup (BATTERY) – (58P model only)



\*\*\*Contact Champion for a list of fire-tested vinyls.  
 \*\*\*\* For available patterns and colors for graded vinyl selections, please contact your Champion sales representative.

## ACCESSORIES

Provide your patient the best care and comfort with an over-the-lap tray, cup holders, head pillow/lumbar support, cushion wedge/arm support, footrest extender, TV mount, nocturnal sleep pad, side guards, IV poles

or an oxygen tank holder. For a complete list of our accessories, please see our *Accessories* brochure or ask your Champion sales representative for more information.

**CHAMPION™** Champion Manufacturing, Inc. | 1.800.998.5018  
 Elkhart, IN 46516 | [www.championchair.com](http://www.championchair.com)

Information contained in this literature is based on the latest product data available at the time of printing. Photography, artwork, text and specifications are subject to change. Photography may show optional items. Due to photographic and printing processes, product colors in this brochure are not necessarily accurate. Champion Manufacturing, Inc. reserves the right to make changes to colors, materials, prices, standards, options, equipment and any specification at any time without notice or obligation. Contact Champion direct for additional information and the latest specifications.